

CS61B Lectures #28

Today:

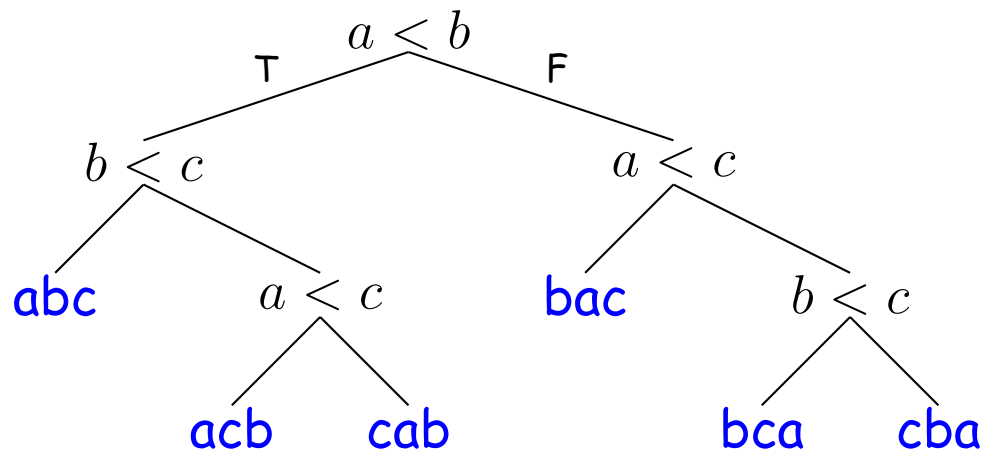
- Lower bounds on sorting by comparison
- Distribution counting, radix sorts

Readings: Today: *DS(IJ)*, Chapter 8; Next topic: Chapter 9.

Better than $N \lg N$?

- Can prove that *if all you can do to keys is compare them*, then sorting must take $\Omega(N \lg N)$.
- Basic idea: there are $N!$ possible ways the input data could be scrambled.
- Therefore, your program must be prepared to do $N!$ different combinations of data-moving operations.
- Therefore, there must be $N!$ possible combinations of outcomes of all the *if*-tests in your program, since those determine what move gets moved where (we're assuming that comparisons are 2-way).

Decision Tree
Height \propto Sorting time



Necessary Choices

- Since each if-test goes two ways, number of possible different outcomes for k if-tests is 2^k .
- Thus, need enough tests so that $2^k \geq N!$, which means $k \in \Omega(\lg N!)$.
- Using Stirling's approximation,

$$N! \in \sqrt{2\pi N} \left(\frac{N}{e}\right)^N \left(1 + \Theta\left(\frac{1}{N}\right)\right),$$
$$\lg(N!) \in 1/2(\lg 2\pi + \lg N) + N \lg N - N \lg e + \lg\left(1 + \Theta\left(\frac{1}{N}\right)\right)$$
$$= \Theta(N \lg N)$$

- This tells us that k , the worst-case number of tests needed to sort N items by comparison sorting, is in $\Omega(N \lg N)$: there must be cases where we need (some multiple of) $N \lg N$ comparisons to sort N things.

Beyond Comparison: Distribution

- But suppose can do more than compare keys?
- For example, how can we sort a set of N integer keys whose values range from 0 to kN , for some small constant k ?
- One technique: put the integers into N buckets, with an integer p going to bucket $\lfloor p/k \rfloor$.
- At most k keys per bucket, so concatenate and use insertion sort, which will now be fast.
- E.g., $k = 2, N = 10$:

Start:

14 3 10 13 4 2 19 17 0 9

In buckets:

| 0 | 3 2 | 4 | | 9 | 10 | 13 | 14 | 17 | 19 |

- Now insertion sort is fast. Putting in buckets takes time $\Theta(N)$, and insertion sort takes $\Theta(kN)$. When k is fixed (constant), we have sorting in time $\Theta(N)$.

Distribution Counting

- Another technique: *count* the number of items $< 1, < 2, \text{ etc.}$
- If $M_p = \# \text{items with value } < p$, then in sorted order, the j^{th} item with value p must be item $\#M_p + j$.
- Gives another *linear-time* algorithm.

Distribution Counting Example

- Suppose all items are between 0 and 9 as in this example:

7	0	4	0	9	1	9	1	9	5	3	7	3	1	6	7	4	2	0
---	---	---	---	---	---	---	---	---	---	---	---	---	---	---	---	---	---	---

3	3	1	2	2	1	1	3	0	3	<i>Counts</i>
0	1	2	3	4	5	6	7	8	9	

0	3	6	7	9	11	12	13	16	16	<i>Running sum</i>
< 0	< 1	< 2	< 3	< 4	< 5	< 6	< 7	< 8	< 9	

0	0	0	1	1	1	2	3	3	4	4	5	6	7	7	7	9	9	9
0		3			6			9		11	12	13				16		

- "Counts" line gives # occurrences of each key.
- "Running sum" gives cumulative count of keys < each value...
- ...which tells us where to put each key:
- The first instance of key k goes into slot m , where m is the number of key instances that are < k .

Distribution Counting Example (II)

7	0	4	0	9	1	9	1	9	5	3	7	3	1	6	7	4	2	0
---	---	---	---	---	---	---	---	---	---	---	---	---	---	---	---	---	---	---

3	3	1	2	2	1	1	3	0	3
0	1	2	3	4	5	6	7	8	9

Counts

0	3	6	7	9	11	12	13	16	16
0	1	2	3	4	5	6	7	8	9

Running sum of Counts

0	3	6	7	9	11	12	13	16	16
0	1	2	3	4	5	6	7	8	9

Next positions

0		3		6		9		12		15		18						

Output

Distribution Counting Example (II)

7	0	4	0	9	1	9	1	9	5	3	7	3	1	6	7	4	2	0
---	---	---	---	---	---	---	---	---	---	---	---	---	---	---	---	---	---	---

3	3	1	2	2	1	1	3	0	3
0	1	2	3	4	5	6	7	8	9

Counts

0	3	6	7	9	11	12	13	16	16
0	1	2	3	4	5	6	7	8	9

Running sum of Counts

0	3	6	7	9	11	12	14	16	16
0	1	2	3	4	5	6	7	8	9

Next positions

											7						
0		3		6		9		12		15		18					

Output

Distribution Counting Example (II)

7	0	4	0	9	1	9	1	9	5	3	7	3	1	6	7	4	2	0
---	---	---	---	---	---	---	---	---	---	---	---	---	---	---	---	---	---	---

3	3	1	2	2	1	1	3	0	3
0	1	2	3	4	5	6	7	8	9

Counts

0	3	6	7	9	11	12	13	16	16
0	1	2	3	4	5	6	7	8	9

Running sum of Counts

1	3	6	7	9	11	12	14	16	16
0	1	2	3	4	5	6	7	8	9

Next positions

0											7						
0		3		6		9		12		15		18					

Output

Distribution Counting Example (II)

7	0	4	0	9	1	9	1	9	5	3	7	3	1	6	7	4	2	0
---	---	---	---	---	---	---	---	---	---	---	---	---	---	---	---	---	---	---

3	3	1	2	2	1	1	3	0	3
0	1	2	3	4	5	6	7	8	9

Counts

0	3	6	7	9	11	12	13	16	16
0	1	2	3	4	5	6	7	8	9

Running sum of Counts

1	3	6	7	10	11	12	14	16	16
0	1	2	3	4	5	6	7	8	9

Next positions

0								4				7					
0		3		6				9			12		15				18

Output

Distribution Counting Example (II)

7	0	4	0	9	1	9	1	9	5	3	7	3	1	6	7	4	2	0
---	---	---	---	---	---	---	---	---	---	---	---	---	---	---	---	---	---	---

3	3	1	2	2	1	1	3	0	3
0	1	2	3	4	5	6	7	8	9

Counts

0	3	6	7	9	11	12	13	16	16
0	1	2	3	4	5	6	7	8	9

Running sum of Counts

2	3	6	7	10	11	12	14	16	16
0	1	2	3	4	5	6	7	8	9

Next positions

0	0							4				7					
0		3		6		9		12		15		18					

Output

Distribution Counting Example (II)

7	0	4	0	9	1	9	1	9	5	3	7	3	1	6	7	4	2	0
---	---	---	---	---	---	---	---	---	---	---	---	---	---	---	---	---	---	---

3	3	1	2	2	1	1	3	0	3
0	1	2	3	4	5	6	7	8	9

Counts

0	3	6	7	9	11	12	13	16	16
0	1	2	3	4	5	6	7	8	9

Running sum of Counts

2	3	6	7	10	11	12	14	16	17
0	1	2	3	4	5	6	7	8	9

Next positions

0	0							4				7			9		
0		3			6			9			12			15		18	

Output

Distribution Counting Example (II)

7	0	4	0	9	1	9	1	9	5	3	7	3	1	6	7	4	2	0
---	---	---	---	---	---	---	---	---	---	---	---	---	---	---	---	---	---	---

3	3	1	2	2	1	1	3	0	3
0	1	2	3	4	5	6	7	8	9

Counts

0	3	6	7	9	11	12	13	16	16
0	1	2	3	4	5	6	7	8	9

Running sum of Counts

2	4	6	7	10	11	12	14	16	17
0	1	2	3	4	5	6	7	8	9

Next positions

0	0		1					4				7			9		
0		3		6		9		12		15		18					

Output

Distribution Counting Example (II)

7	0	4	0	9	1	9	1	9	5	3	7	3	1	6	7	4	2	0
---	---	---	---	---	---	---	---	---	---	---	---	---	---	---	---	---	---	---

3	3	1	2	2	1	1	3	0	3
0	1	2	3	4	5	6	7	8	9

Counts

0	3	6	7	9	11	12	13	16	16
0	1	2	3	4	5	6	7	8	9

Running sum of Counts

2	4	6	7	10	11	12	14	16	18
0	1	2	3	4	5	6	7	8	9

Next positions

0	0		1					4				7			9	9	
0		3			6			9			12			15		18	

Output

Distribution Counting Example (II)

7	0	4	0	9	1	9	1	9	5	3	7	3	1	6	7	4	2	0
---	---	---	---	---	---	---	---	---	---	---	---	---	---	---	---	---	---	---

3	3	1	2	2	1	1	3	0	3
0	1	2	3	4	5	6	7	8	9

Counts

0	3	6	7	9	11	12	13	16	16
0	1	2	3	4	5	6	7	8	9

Running sum of Counts

2	5	6	7	10	11	12	14	16	18
0	1	2	3	4	5	6	7	8	9

Next positions

0	0		1	1				4				7			9	9	
0		3			6			9		12		15			18		

Output

Distribution Counting Example (II)

7	0	4	0	9	1	9	1	9	5	3	7	3	1	6	7	4	2	0
---	---	---	---	---	---	---	---	---	---	---	---	---	---	---	---	---	---	---

3	3	1	2	2	1	1	3	0	3
0	1	2	3	4	5	6	7	8	9

Counts

0	3	6	7	9	11	12	13	16	16
0	1	2	3	4	5	6	7	8	9

Running sum of Counts

2	5	6	7	10	11	12	14	16	19
0	1	2	3	4	5	6	7	8	9

Next positions

0	0		1	1				4				7			9	9	9
0		3			6			9			12			15		18	

Output

Distribution Counting Example (II)

7	0	4	0	9	1	9	1	9	5	3	7	3	1	6	7	4	2	0
---	---	---	---	---	---	---	---	---	---	---	---	---	---	---	---	---	---	---

3	3	1	2	2	1	1	3	0	3
0	1	2	3	4	5	6	7	8	9

Counts

0	3	6	7	9	11	12	13	16	16
0	1	2	3	4	5	6	7	8	9

Running sum of Counts

2	5	6	7	10	12	12	14	16	19
0	1	2	3	4	5	6	7	8	9

Next positions

0	0		1	1				4		5		7			9	9	9
0		3			6			9		12		15			18		

Output

Distribution Counting Example (II)

7	0	4	0	9	1	9	1	9	5	3	7	3	1	6	7	4	2	0
---	---	---	---	---	---	---	---	---	---	---	---	---	---	---	---	---	---	---

3	3	1	2	2	1	1	3	0	3
0	1	2	3	4	5	6	7	8	9

Counts

0	3	6	7	9	11	12	13	16	16
0	1	2	3	4	5	6	7	8	9

Running sum of Counts

2	5	6	8	10	12	12	14	16	19
0	1	2	3	4	5	6	7	8	9

Next positions

0	0		1	1			3		4		5		7			9	9	9
0		3			6			9		12		15			18			

Output

Distribution Counting Example (II)

7	0	4	0	9	1	9	1	9	5	3	7	3	1	6	7	4	2	0
---	---	---	---	---	---	---	---	---	---	---	---	---	---	---	---	---	---	---

3	3	1	2	2	1	1	3	0	3
0	1	2	3	4	5	6	7	8	9

Counts

0	3	6	7	9	11	12	13	16	16
0	1	2	3	4	5	6	7	8	9

Running sum of Counts

2	5	6	8	10	12	12	15	16	19
0	1	2	3	4	5	6	7	8	9

Next positions

0	0		1	1			3		4		5		7	7		9	9	9
0		3			6			9		12		15		18				

Output

Distribution Counting Example (II)

7	0	4	0	9	1	9	1	9	5	3	7	3	1	6	7	4	2	0
---	---	---	---	---	---	---	---	---	---	---	---	---	---	---	---	---	---	---

3	3	1	2	2	1	1	3	0	3
0	1	2	3	4	5	6	7	8	9

Counts

0	3	6	7	9	11	12	13	16	16
0	1	2	3	4	5	6	7	8	9

Running sum of Counts

2	5	6	9	10	12	12	15	16	19
0	1	2	3	4	5	6	7	8	9

Next positions

0	0		1	1			3	3	4		5		7	7		9	9	9
0		3			6			9		12		15		18				

Output

Distribution Counting Example (II)

7	0	4	0	9	1	9	1	9	5	3	7	3	1	6	7	4	2	0
---	---	---	---	---	---	---	---	---	---	---	---	---	---	---	---	---	---	---

3	3	1	2	2	1	1	3	0	3
0	1	2	3	4	5	6	7	8	9

Counts

0	3	6	7	9	11	12	13	16	16
0	1	2	3	4	5	6	7	8	9

Running sum of Counts

2	6	6	9	10	12	12	15	16	19
0	1	2	3	4	5	6	7	8	9

Next positions

0	0		1	1	1		3	3	4		5		7	7		9	9	9
0		3			6			9		12		15		18				

Output

Distribution Counting Example (II)

7	0	4	0	9	1	9	1	9	5	3	7	3	1	6	7	4	2	0
---	---	---	---	---	---	---	---	---	---	---	---	---	---	---	---	---	---	---

3	3	1	2	2	1	1	3	0	3
0	1	2	3	4	5	6	7	8	9

Counts

0	3	6	7	9	11	12	13	16	16
0	1	2	3	4	5	6	7	8	9

Running sum of Counts

2	6	6	9	10	12	13	15	16	19
0	1	2	3	4	5	6	7	8	9

Next positions

0	0		1	1	1		3	3	4		5	6	7	7		9	9	9
0		3		6		9		12		15		18						

Output

Distribution Counting Example (II)

7	0	4	0	9	1	9	1	9	5	3	7	3	1	6	7	4	2	0
---	---	---	---	---	---	---	---	---	---	---	---	---	---	---	---	---	---	---

3	3	1	2	2	1	1	3	0	3
0	1	2	3	4	5	6	7	8	9

Counts

0	3	6	7	9	11	12	13	16	16
0	1	2	3	4	5	6	7	8	9

Running sum of Counts

2	6	6	9	10	12	13	16	16	19
0	1	2	3	4	5	6	7	8	9

Next positions

0	0		1	1	1		3	3	4		5	6	7	7	7	9	9	9
0		3				6			9			12			15			18

Output

Distribution Counting Example (II)

7	0	4	0	9	1	9	1	9	5	3	7	3	1	6	7	4	2	0
---	---	---	---	---	---	---	---	---	---	---	---	---	---	---	---	---	---	---

3	3	1	2	2	1	1	3	0	3
0	1	2	3	4	5	6	7	8	9

Counts

0	3	6	7	9	11	12	13	16	16
0	1	2	3	4	5	6	7	8	9

Running sum of Counts

2	6	6	9	11	12	13	16	16	19
0	1	2	3	4	5	6	7	8	9

Next positions

0	0		1	1	1		3	3	4	4	5	6	7	7	7	9	9	9
0		3				6			9			12			15			18

Output

Distribution Counting Example (II)

7	0	4	0	9	1	9	1	9	5	3	7	3	1	6	7	4	2	0
---	---	---	---	---	---	---	---	---	---	---	---	---	---	---	---	---	---	---

3	3	1	2	2	1	1	3	0	3
0	1	2	3	4	5	6	7	8	9

Counts

0	3	6	7	9	11	12	13	16	16
0	1	2	3	4	5	6	7	8	9

Running sum of Counts

2	6	7	9	11	12	13	16	16	19
0	1	2	3	4	5	6	7	8	9

Next positions

0	0		1	1	1	2	3	3	4	4	5	6	7	7	7	9	9	9
0		3			6			9			12			15			18	

Output

Distribution Counting Example (II)

7	0	4	0	9	1	9	1	9	5	3	7	3	1	6	7	4	2	0
---	---	---	---	---	---	---	---	---	---	---	---	---	---	---	---	---	---	---

3	3	1	2	2	1	1	3	0	3
0	1	2	3	4	5	6	7	8	9

Counts

0	3	6	7	9	11	12	13	16	16
0	1	2	3	4	5	6	7	8	9

Running sum of Counts

3	6	7	9	11	12	13	16	16	19
0	1	2	3	4	5	6	7	8	9

Next positions

0	0	0	1	1	1	2	3	3	4	4	5	6	7	7	7	9	9	9
0			3			6			9			12			15			18

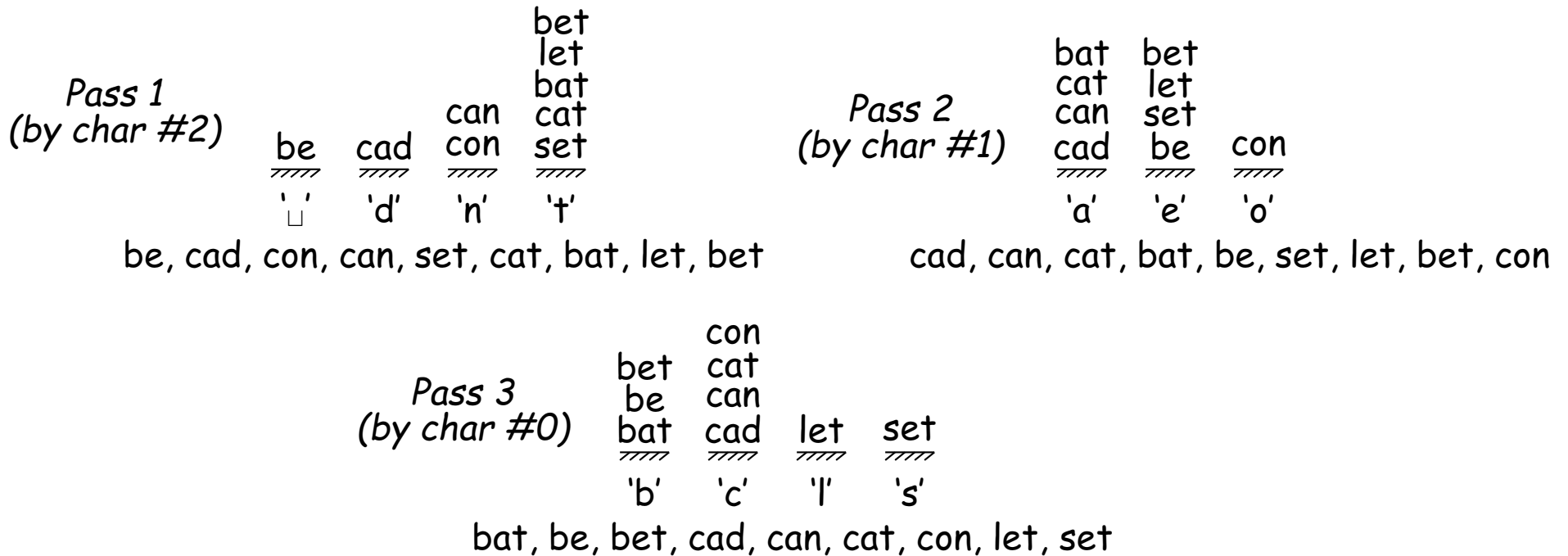
Output

Radix Sort

Idea: Sort keys *one character at a time*.

- Can use distribution counting for each digit.
- Can work either right to left (LSD radix sort) or left to right (MSD radix sort)
- LSD radix sort is venerable: used for punched cards.

Initial: set, cat, cad, con, bat, can, be, let, bet



MSD Radix Sort

- A bit more complicated: must keep lists from each step separate
- But, can stop processing 1-element lists

<i>A</i>	posn
* set, cat, cad, con, bat, can, be, let, bet	0
* bat, be, bet / cat, cad, con, can / let / set	1
bat / * be, bet / cat, cad, con, can / let / set	2
bat / be / bet / * cat, cad, con, can / let / set	1
bat / be / bet / * cat, cad, can / con / let / set	2
bat / be / bet / cad / can / cat / con / let / set	

Performance of Radix Sort

- Radix sort takes $\Theta(B)$ time where B is *total size of the key data*.
- Have measured other sorts as function of #records.
- How to compare?
- To have N different records, must have keys at least $\Theta(\lg N)$ long [why?]
- Furthermore, comparison actually takes time $\Theta(K)$ where K is size of key in worst case [why?]
- So $N \lg N$ comparisons really means $N(\lg N)^2$ operations.
- While radix sort would take $B = N \lg N$ time with minimal-length keys.
- On the other hand, must work to get good constant factors with radix sort.

And Don't Forget Search Trees

Idea: A search tree is in sorted order, when read in inorder.

- Need *balance* to really use for sorting [next topic].
- Given balance, same performance as heapsort: N insertions in time $\lg N$ each, plus $\Theta(N)$ to traverse, gives

$$\Theta(N + N \lg N) = \Theta(N \lg N)$$

Summary

- Insertion sort: $\Theta(Nk)$ comparisons and moves, where k is maximum amount data is displaced from final position.
 - Good for small datasets or almost ordered data sets.
- Quicksort: $\Theta(N \lg N)$ with good constant factor if data is not pathological. Worst case $O(N^2)$.
- Merge sort: $\Theta(N \lg N)$ guaranteed. Good for external sorting.
- Heapsort, treesort with guaranteed balance: $\Theta(N \lg N)$ guaranteed.
- Radix sort, distribution sort: $\Theta(B)$ (number of bytes). Also good for external sorting.